

---

***TAPstack Series - Cost-Effective Family of TAP to  
improve network visibility in less space***

---

## TAPSTACK SERIES

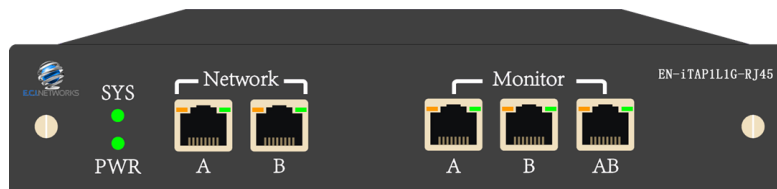
The TAPstack Series is a family of Passive and Secure Fiber Optic and Active Copper TAPs. TAPstack is designed to enable rapid, effective access to live traffic traversing high-speed optical fibre networks links for network monitoring, analysis and cyber-security applications.



TAPstack provides network operators with the ability to rapidly and effectively deploy analysis tools to observe and monitor high-speed optical networks.

## TAPSTACK COPPER TAP

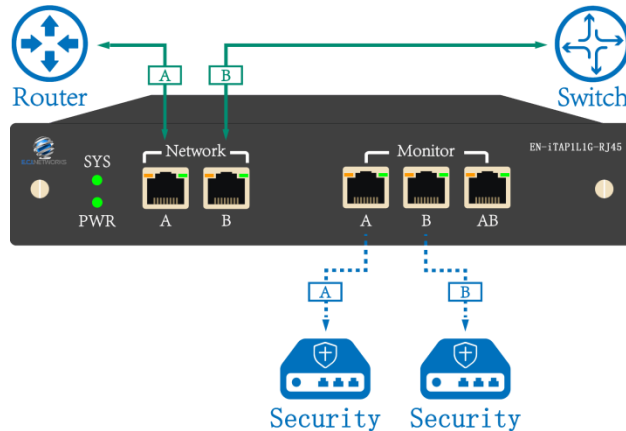
The 10/100/1000 Ethernet Tap provides easy 24 x 7 access to your 10/100 and Gigabit Ethernet network segments, making it an ideal portable network tap for troubleshooting Ethernet networks or for security monitoring applications, where you need non-intrusive, dedicated access to your network.



**Main Features**

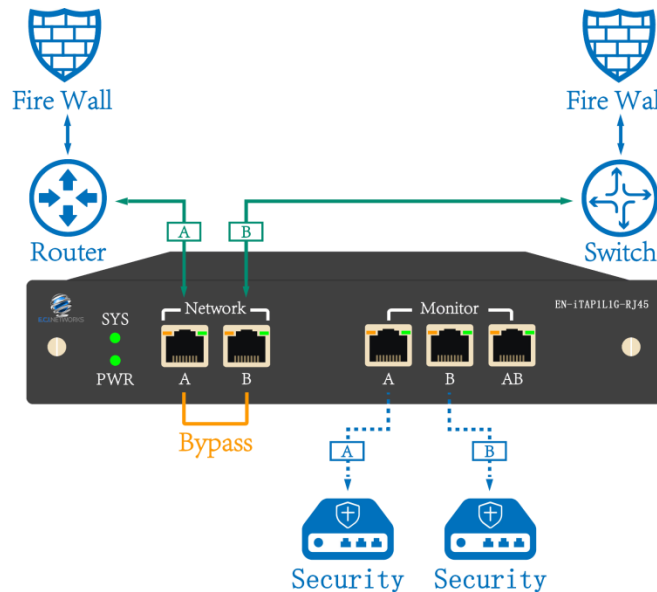
**Standard Network TAP (Online Monitor)**

Tap is inserted inline (Network ports A and B) and will collect traffic from a network link and allow you to monitor the data traffic into duplex output Monitor A and B.



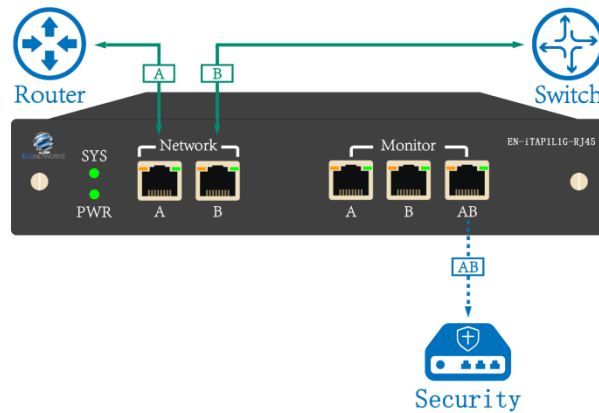
**Intelligent Bypass/Failsafe**

EN-iTAP1L1G-RJ45 comes with a built-in smart BYPASS function that supports automatic failsafe mode but not only on power failure, and it also has a unique port state monitoring technology to provide port Link state to your network equipment. For example, a redundancy protocol (such as dynamic routing protocol OSPF routing) can be quickly detected correctly neighbour equipment state changes to achieve rapid convergence.



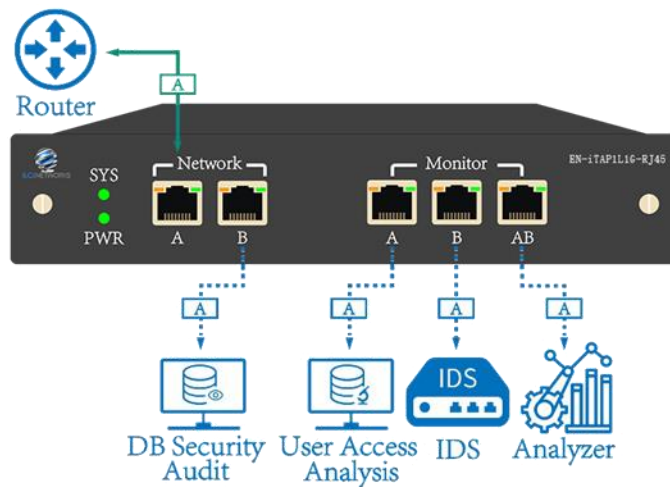
**Link Data Aggregation**

Tap is inserted inline (ports A and B) and will collect traffic from a network link and automatically combine it into a single output Monitor AB. With 3 monitoring ports (Monitor A, B and AB), you can have one copy of that aggregated data, or when link utilization is high, keep the full-duplex streams separately.



**SPAN Data Replication**

For additional flexibility, the network ports can also receive traffic from an external mirror or SPAN port or another tap, providing you with the ability to replicate a link or add other traffic into a single output port.



## OTHER FEATURES

- Secure: no IP address required, no MAC address and cannot be hacked.
- Creates an exact copy of the bi-directional network traffic, including packets with errors.
- No configuration required; Integrates into your cabling infrastructure
- Easily connect to all of your Network Tools!
  - Lawful Interception
  - Data Leakage Prevention
  - An Intrusion Detection & Prevention Systems
  - Analyzers, Sniffers, Probes, Compliance

## TECHNICAL SPECIFICATIONS

TAPStack Intelligent Bypass Network TAP(PN: EN-iTAP1L1G-RJ45)		
Interface Type	Network Port	One (1) 10/100/1000 Network Tap A/B (RJ45)
	Monitor Port	Two (2) 10/100/1000 Duplex Ports A and B (RJ45) One (1) 10/100/1000 Aggregated Port AB (RJ45)
Function	Max Ports	5 ports
	Traffic Replication	Support 1->4
	Traffic Max Speed	1G
Electric	Power Supply	12V-DC
	Frequency	-
	Current	1A
	Power	<10W
Environments	Work Temperature	0–50°C
	Storage Temperature	-20-70°C
	Work Humidity	10%-95%, No Condensation
Size	L(mm)*W(mm)*H(mm)	180mm*140mm*35mm



## ORDERING INFORMATION

Part Number	Description
<b>TAPstack TAPs 1G COPPER</b>	
EN-iTAP1L1G-RJ45	TAPstack Copper TAP with Link Aggregation/bypass/ TAP with one 10/100/1000 Network Link to Three Monitoring ports (A, B, and AB)
EN-iTAPRMC-2	2-TAP 1U Rack Mount Chassis



E.C.I.NETWORKS

**TAPstack series**  
Intelligent Copper TAP

**Notice:**

E.C.I. Networks reserves the right to make changes to or discontinue any optical link product or service identified in this publication, without notice, to improve design and/or performance. Applications that are described herein for any of the optical link products are for illustrative purposes only.

For further information



E.C.I.NETWORKS

Office: 1-800-967-1672

Fax : 1-855-201-7283

<mailto:sales@ecin.ca>

6500 TRANS-CANADIAN, SUITE 400

POINTE-CLAIRE, QC H9R 0A5

[www.ecin.ca](http://www.ecin.ca)

NOTE: ALL TRADEMARKS, REGISTERED COMPANIES & REFERENCES CITED ARE THE SOLE PROPERTY OF THEIR RESPECTIVE COMPANY AND ARE USED SOLELY TO ASSIST IN THE IDENTIFICATION OF PRODUCTS.